

SPECIFICATIONS

DESCRIPTIONS

- 3-hole Basin mixer with American type pop-up waste set, 1/2"-14NPSM

FINISHES

- 01: Chrome ,02: Brushed nickel(PVD)
- 03: Polished nickel(PVD)

PRESSURE

- Recommended pressure:
0.1MPa to 0.8MPa
- Flow Rate:
Flow: 8.2L/min1.93gpm(US) at 60psi

CARTRIDGE TYPE

- Fluhs

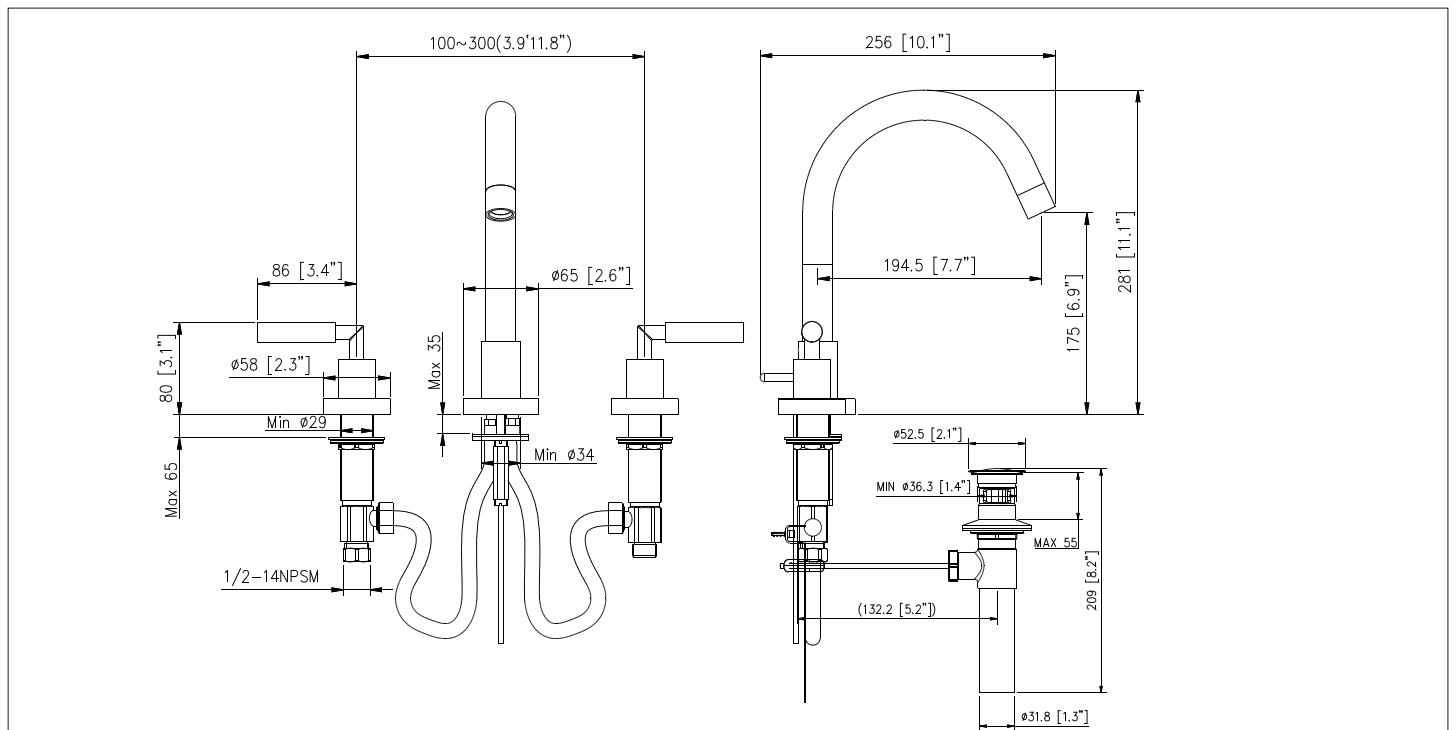
CERTIFICATIONS

- ASME A112.18.1
- CAS B125.1
- NSF61

CANTRIO KONCEPTS Ashley

3-hole Basin mixer

118.420.01



WARRANTY

This product carries a limited Lifetime warranty on all finishes. All working parts are guaranteed from the date of purchase against all manufacturing defects.