

# SPECIFICATIONS

## DESCRIPTIONS

- Wall mounted basin mixer only,  
1/2"-14 NPT inlets

## FINISHES

- 01: Chrome ,02: Brushed nickel(PVD)
- 03: Polished nickel(PVD)

## PRESSURE

- Recommended pressure:  
0.1MPa to 0.8MPa
- Flow Rate:  
Flow: 8.0L/min2.12gpm(US) at 60psi

## CARTRIDGE TYPE

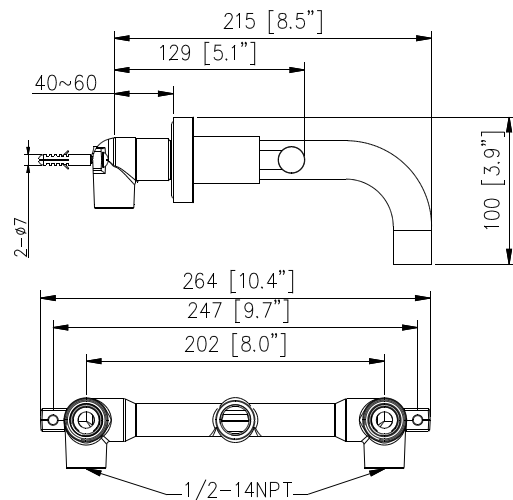
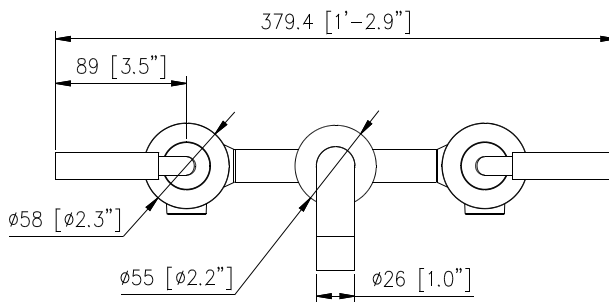
- Fluhs

## CERTIFICATIONS

- ASME A112.18.1
- CAS B125.1
- NSF61

# CANTRIO KONCEPTS Ashley

Wall mounted basin mixer  
118.430.01



## WARRANTY

This product carries a limited Lifetime warranty on all finishes. All working parts are guaranteed from the date of purchase against all manufacturing defects.