

SPECIFICATIONS

CANTRIO KONCEPTS

DESCRIPTIONS

- Concealed 3-way wall diverter, 1/2"-14NPT

FINISHES

- 01: Chrome ,02: Brushed nickel(PVD)
- 03: Polished nickel(PVD)

PRESSURE

- Recommended pressure:
0.1MPa to 0.8MPa
- Flow Rate:
Flow: 18.80L/min 4.98gpm(US) at 20psi

CARTRIDGE TYPE

- Kerox

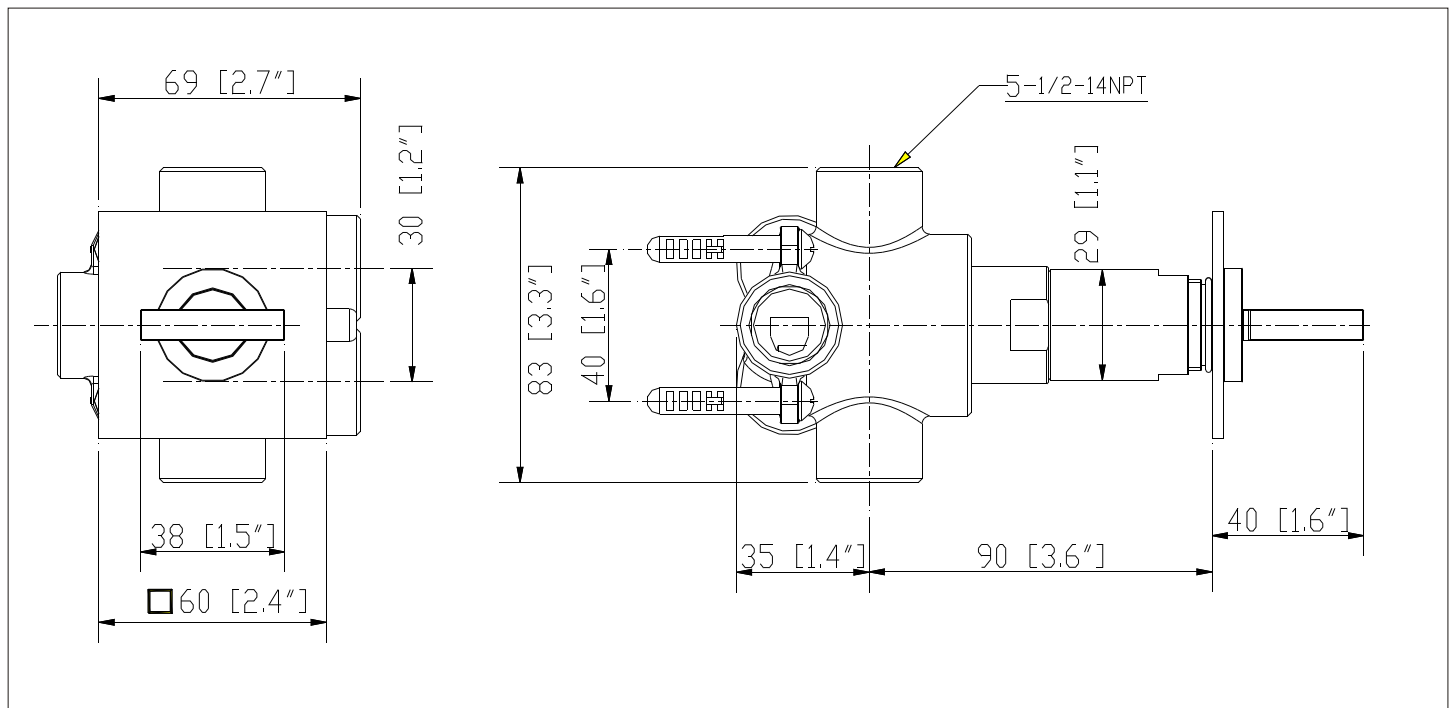
CERTIFICATIONS

- ASME A112.18.1
- CAS B125.1
- NSF61

Maya

Concealed 3-way wall diverter

185.770.01



WARRANTY

This product carries a limited Lifetime warranty on all finishes. All working parts are guaranteed from the date of purchase against all manufacturing defects.