

SPECIFICATIONS

CANTRIO KONCEPTS

DESCRIPTIONS

- Concealed pressure balancing mixer with diverter, 1/2"-14NPT inlets and outlets

FINISHES

- 01: Chrome ,02: Brushed nickel(PVD)
- 03: Polished nickel(PVD)

PRESSURE

- Recommended pressure:
0.1MPa to 0.8MPa
- Flow Rate:
Bath: 9.28L/min2.46gpm(US) at 20psi
With fitting: 17.8L/min4.72gpm(US) at 58psi

CARTRIDGE TYPE

- Hian yo

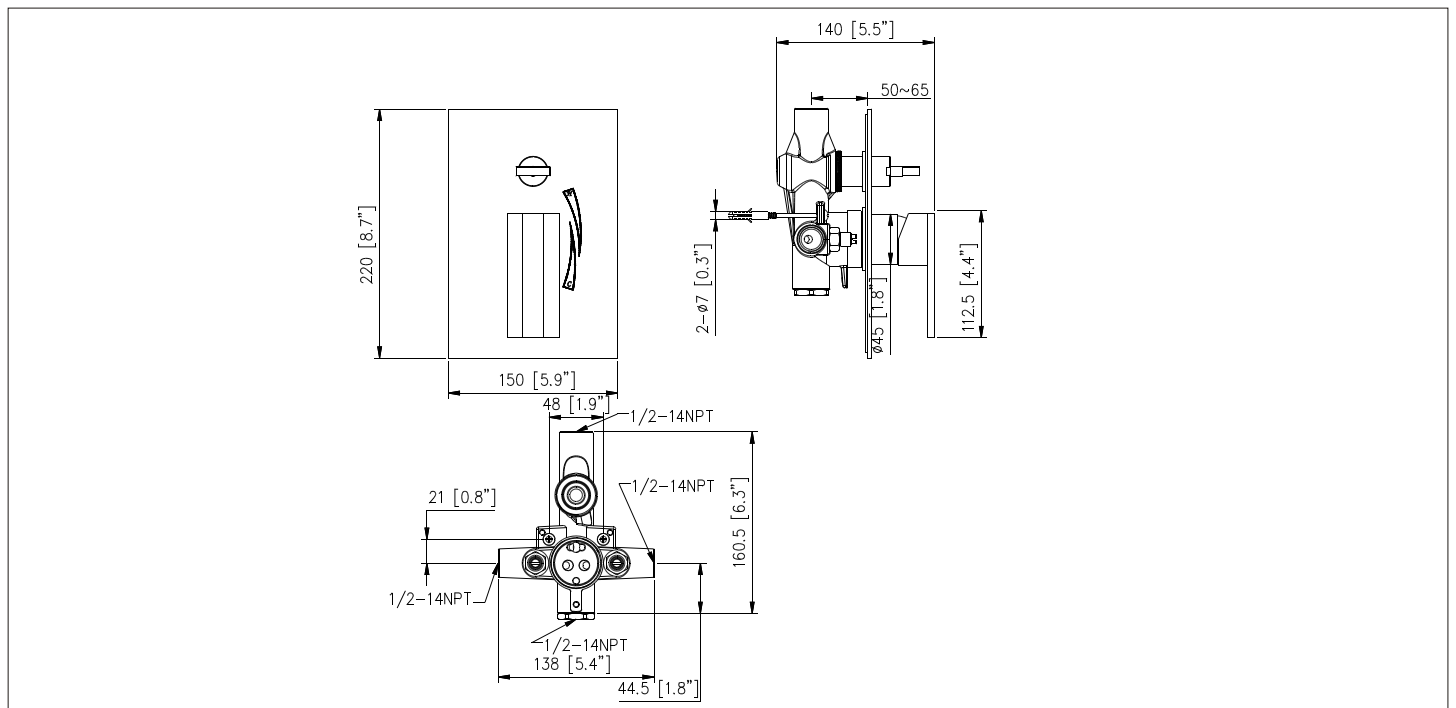
CERTIFICATIONS

- ASME A112.18.1
- CAS B125.1
- NSF61

Maya

Concealed pressure balancing mixer

185.940.01



WARRANTY

This product carries a limited Lifetime warranty on all finishes. All working parts are guaranteed from the date of purchase against all manufacturing defects.