

# SPECIFICATIONS

# CANTRIO KONCEPTS

## DESCRIPTIONS

- Concealed pressure balancing mixer, 1/2"-14NPT inlets and outlet

## FINISHES

- 01: Chrome ,02: Brushed nickel(PVD)
- 03: Polished nickel(PVD)

## PRESSURE

- Recommended pressure:  
0.1MPa to 0.8MPa
- Flow Rate:  
Bath: 9.68L/min2.57gpm(US) at 20psi  
With fitting: 18.08L/min4.79gpm(US) at 58psi

## Maya

Concealed pressure balancing mixer  
185.950.01

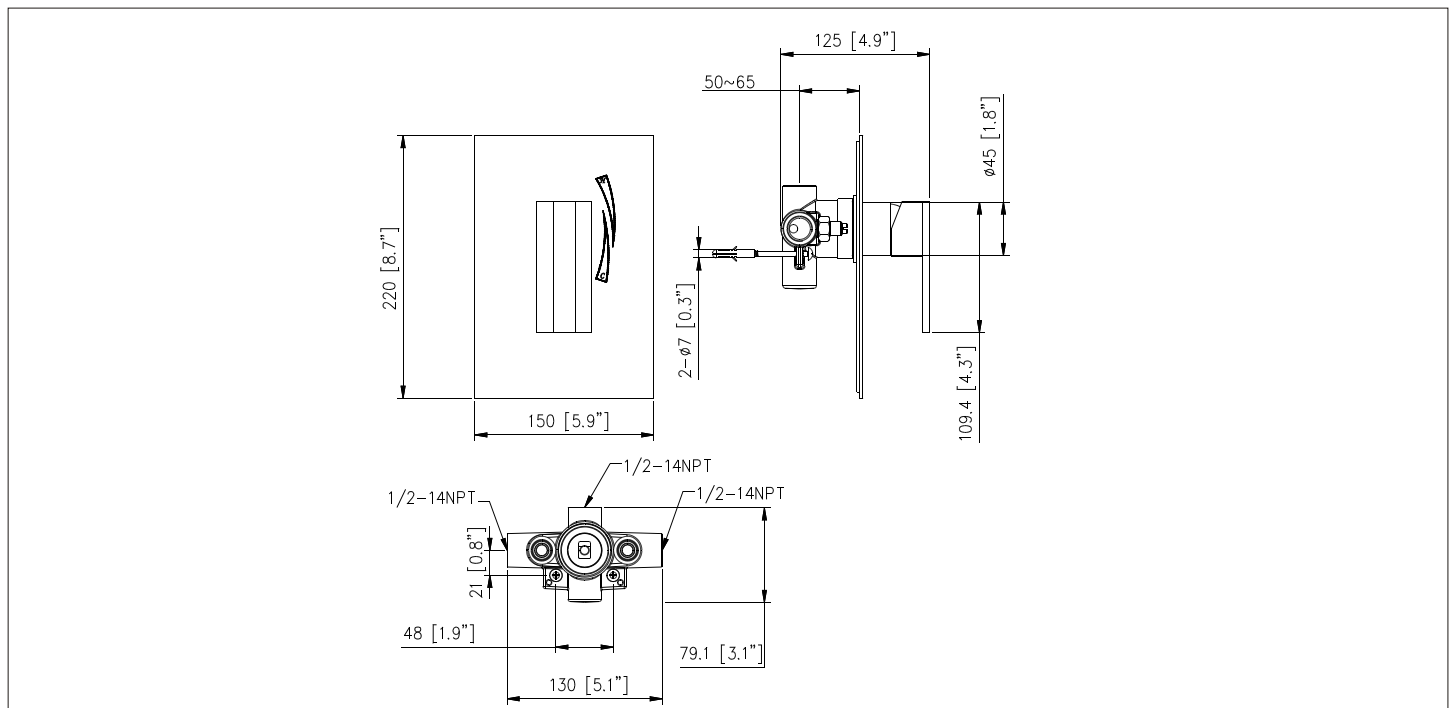


## CARTRIDGE TYPE

- Hian yo

## CERTIFICATIONS

- ASME A112.18.1
- CAS B125.1
- NSF61



## WARRANTY

This product carries a limited Lifetime warranty on all finishes. All working parts are guaranteed from the date of purchase against all manufacturing defects.