

SPECIFICATIONS

DESCRIPTIONS

- Basin mixer with American type pop-up waste set, supplied with 9/16"-24UNEF flexible hoses

FINISHES

- 01: Chrome ,02: Brushed nickel(PVD)
- 03: Polished nickel(PVD)

PRESSURE

- Recommended pressure:
0.1MPa to 0.8MPa
- Flow Rate:
Flow: 7.73L/min2.05gpm(US) at 60psi

CARTRIDGE TYPE

- Hian yo

CERTIFICATIONS

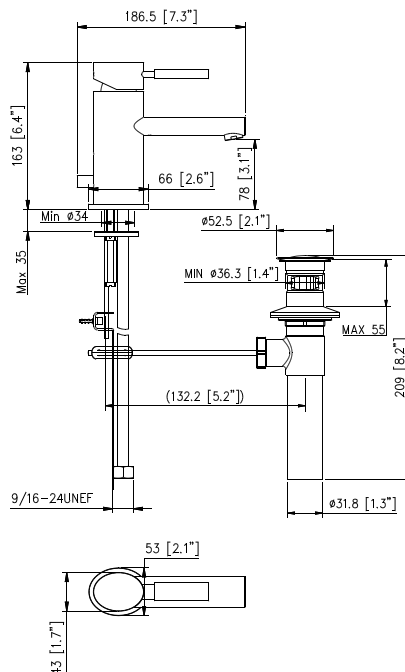
- ASME A112.18.1
- CAS B125.1
- NSF61

CANTRIO KONCEPTS

Dawn

Basin mixer

188.101.01



WARRANTY

This product carries a limited Lifetime warranty on all finishes. All working parts are guaranteed from the date of purchase against all manufacturing defects.