

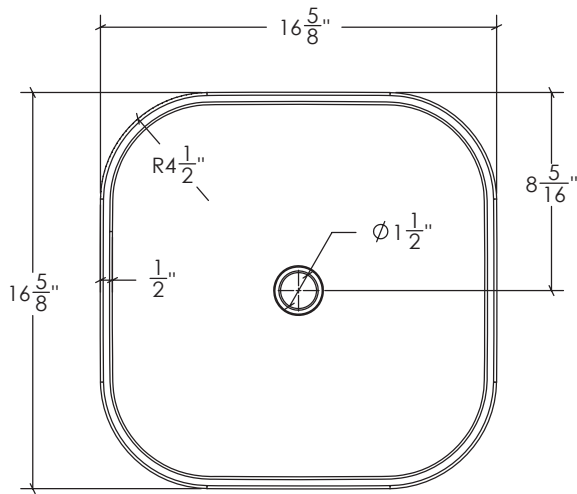
GS-101F

FEATURES:

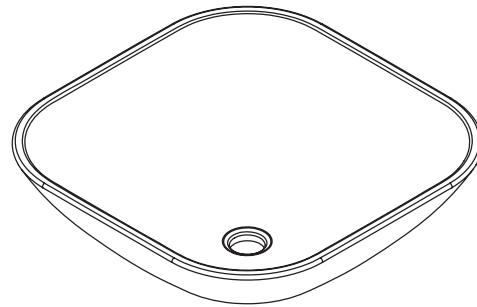
- * Sink Size: 16-5/8" x 16-5/8" x 5-5/8"
- * Material: Frosted Tempered Glass
- * Counter Top Sink
- * Recommended Drain: DS-003
- * For Use With Standard Pop Up Drain
- * Warranty: One Year Limited Warranty

CODES / STANDARDS APPLICABLE

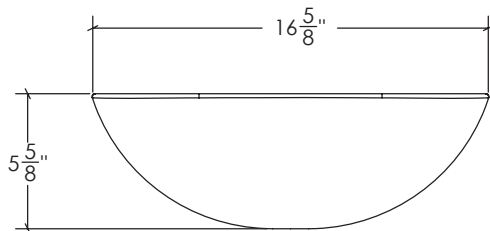
- * CSA B45
- * ASME A112.19.2



TOP VIEW



3D VIEW



FRONT VIEW

JOB INFORMATION:

Job Name _____

Date Specified _____

Contractor _____

Specifications and drawings provided on this sheet are for illustration only. Cantrio Concepts will not be held responsible for cutouts made without the actual product or product template.

Dimensions may vary within industry standard tolerances. Cantrio Concepts reserves the right to make changes without notice.