

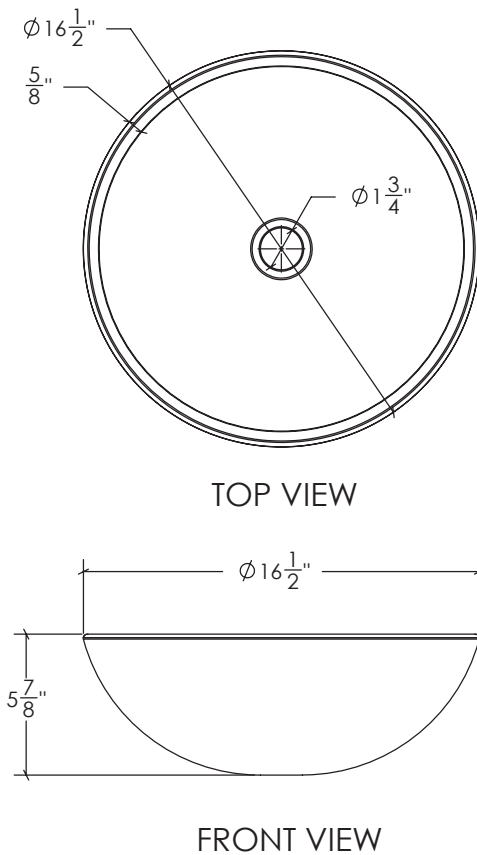
## GS-102F

### FEATURES:

- \* Sink Size: 16-1/2" Dia. x 5-7/8"
- \* Material: Frosted Tempered Glass
- \* Counter Top Sink
- \* Recommended Drain: DS-003
- \* For Use With Standard Pop Up Drain
- \* Warranty: One Year Limited Warranty

### CODES / STANDARDS APPLICABLE

- \* CSA B45
- \* ASME A112.19.2



### JOB INFORMATION:

Job Name \_\_\_\_\_  
 Date Specified \_\_\_\_\_  
 Contractor \_\_\_\_\_

Specifications and drawings provided on this sheet are for illustration only. Cantrio Concepts will not be held responsible for cutouts made without the actual product or product template.

Dimensions may vary within industry standard tolerances. Cantrio Concepts reserves the right to make changes without notice.