

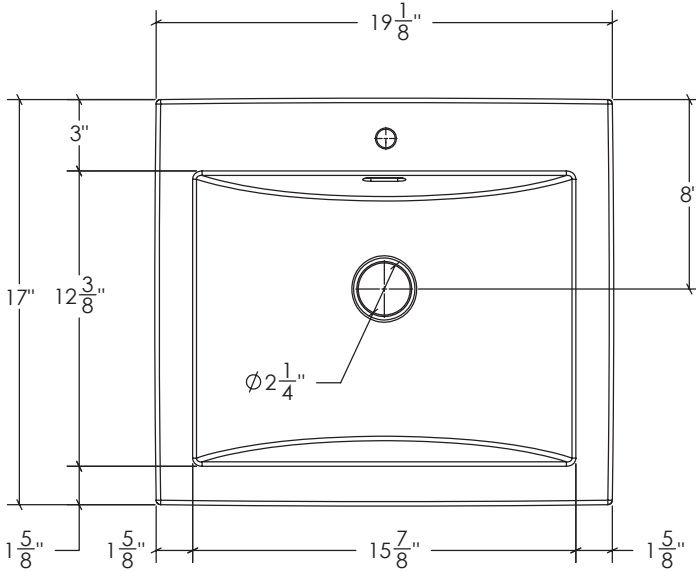
MMA-1916

FEATURES:

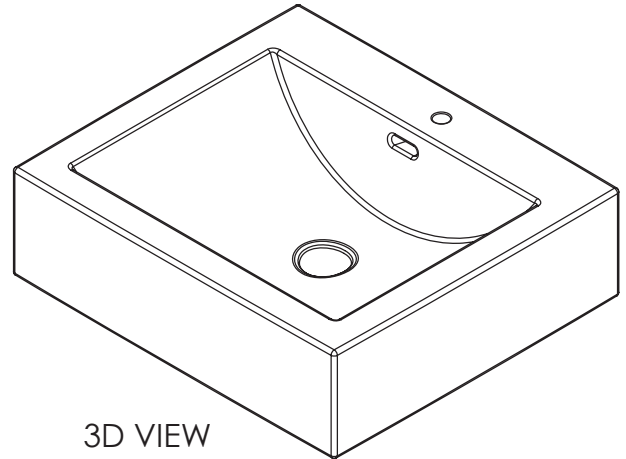
- * Sink Size: 19-1/8" x 17" x 6-7/8"
- * Material: Solid Surface
- * Counter Top Sink with Deck Mount Hole
- * Recommended Drain: DS-001
- * For Drains with Overflow
- * For Use With Standard Pop Up Drain
- * Warranty: One Year Limited Warranty

CODES / STANDARDS APPLICABLE

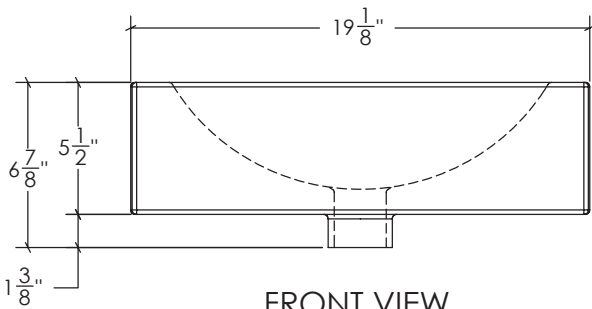
- * CSA B45
- * ASME A112.19.2



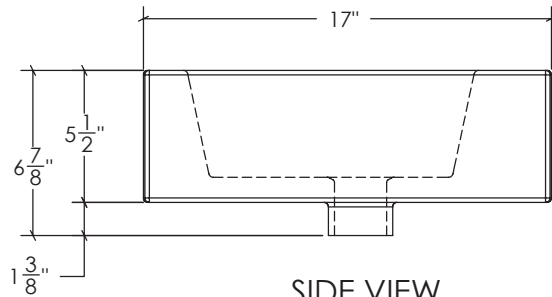
TOP VIEW



3D VIEW



FRONT VIEW



SIDE VIEW

JOB INFORMATION:

Job Name _____
 Date Specified _____
 Contractor _____

Specifications and drawings provided on this sheet are for illustration only. Cantrio Concepts will not be held responsible for cutouts made without the actual product or product template.

Dimensions may vary within industry standard tolerances. Cantrio Concepts reserves the right to make changes without notice.