

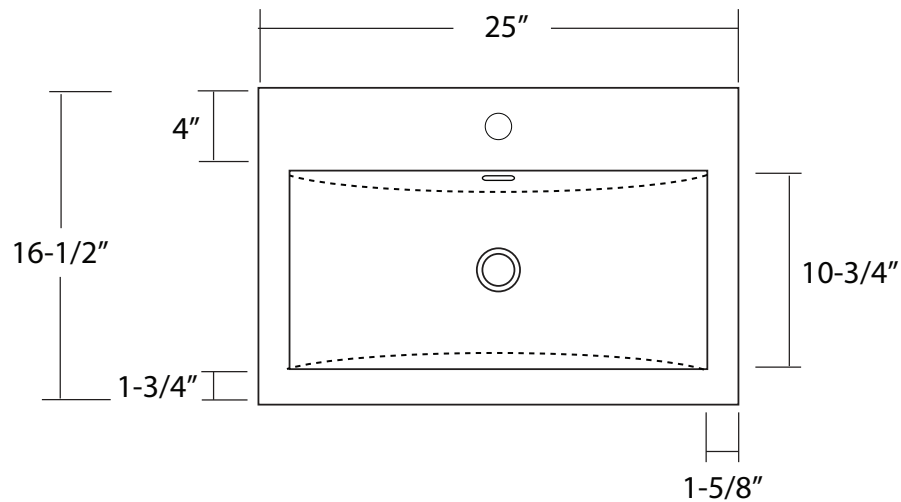
## MMA-2516

### FEATURES:

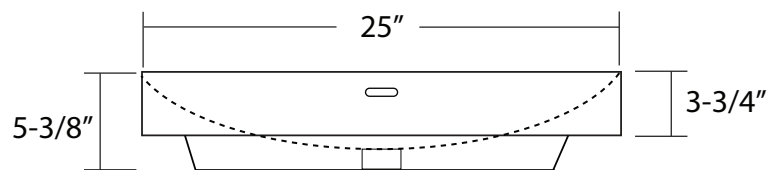
- \* Sink Size: 25" x 16-1/2" x 5-3/8"
- \* Material: Solid Surface
- \* Glossy or Matte Finish Available
- \* Semi-recessed Countertop Sink
- \* Recommended Drain: DS-001
- \* For Drains with Overflow
- \* For Use With Standard Pop-up Drain
- \* Warranty: One Year Limited Warranty

### CODES / STANDARDS APPLICABLE

- \* CSA B45
- \* ASME A112.19.2



TOP VIEW



FRONT VIEW

### JOB INFORMATION:

Job Name \_\_\_\_\_

Date Specified \_\_\_\_\_

Contractor \_\_\_\_\_

Specifications and drawings provided on this sheet are for illustration only. Cantrio Koncepts will not be held responsible for cutouts made without the actual product or product template.

Dimensions may vary within industry standard tolerances. Cantrio Koncepts reserves the right to make changes without notice.